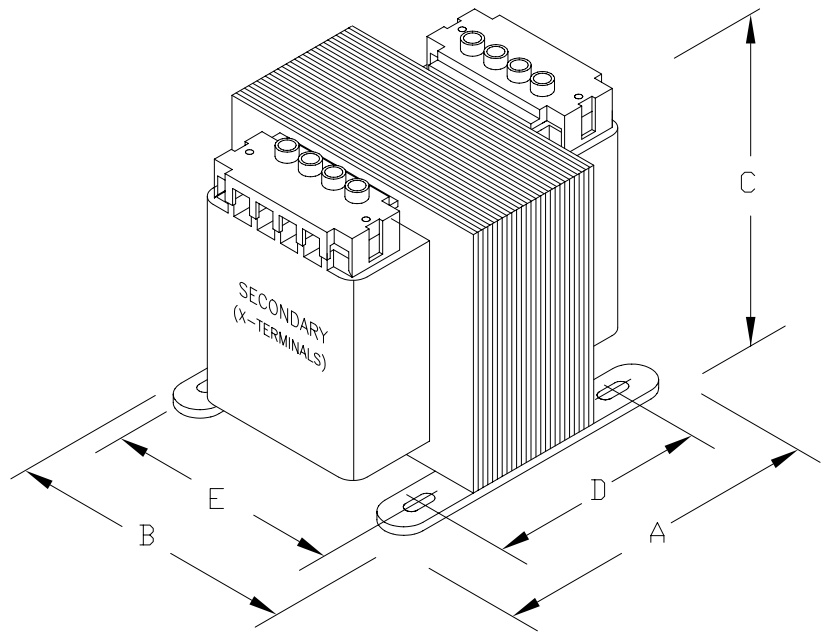


CONNECTION DIAGRAM



PROVIDED WITH SAFE TOUCH TERMINAL COVERS.
NO INTEGRAL FUSING CAPABILITY.

DIMENSIONS							APPROX. WT. LBS (KG)
	A	B	C	D	E	MTG. SLOTS	
INCHES (MM)	3.75 (95)	4.50 (114)	4.00 (102)	2.44 (62)	3.75 (95)	0.203X0.460 (5.1X11.7)	



CAT.NO.	M150-2044-GAF		CONST.	ENCAPSULATED			UL LISTED
			MODEL	GLOBALTRAN			
RATING							SP CERTIFIED
OUTPUT AMPS	1.30	PRIMARY V	550/575/600		TEMP. CLASS	HZ 50/60	
VA	150	SECONDARY V	110/115/120		130°C	REVISION G	CE IEC 61558